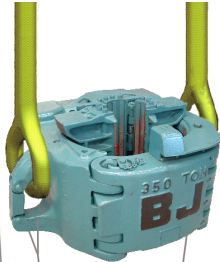


Technical Data

Tru-Stab™ System



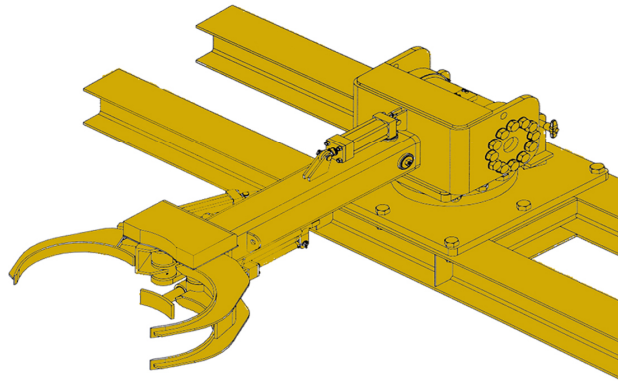
Varco BJ
350/500
ton Air
Operated
Elevators
with
wireless
video
camera



The PCS Tru-Stab System is a stabberless casing running system consisting of the components shown here. See the following pages for further details.

The elevators incorporate a wireless video camera which transmits a real time image to a display panel mounted in the doghouse. The driller can see the position of the casing relative to the elevators and ensure that the elevators latch in the correct place.

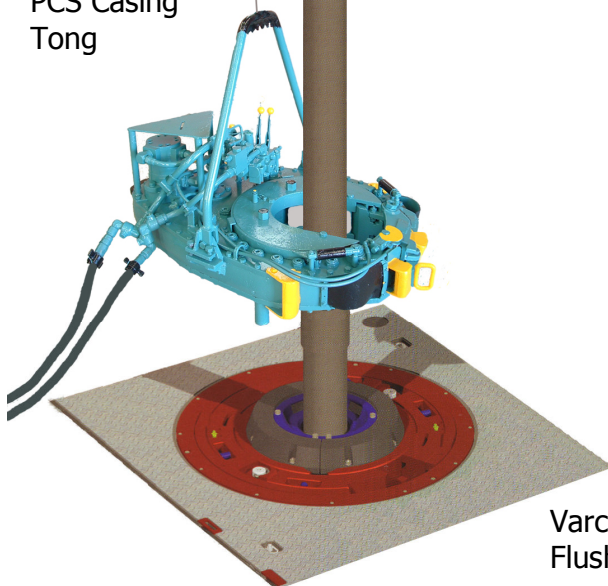
Varco BJ
SJX Double
Hinged
Single Joint
Elevators



ODS-Hamco Pipe
Stabilizing Arm

The stabilizing arm is able to accommodate sizes from 3 $\frac{1}{2}$ " to 20" without the need for anyone to go up the derrick and adjust the size manually. The backstop telescopes out to adjust for any pipe size within the range. The arm has a reach of 2.7 to 3.5 meters.

PCS Casing
Tong



The Varco BJ SJX single joint elevators are double hinged to allow removal from either side of the casing regardless of which side the slings are on.

The remote control panel for the air-operated elevators and hydraulically-operated FMS links the elevators and FMS together via a safety interlock system. The interlock features a mechanical lock out device that physically prevents the elevators and FMS being opened at the same time.

Varco BJ FMS-375
Flush Mounted Spider